



FLANGE TOOL INNOVATION

PRODUCT DATA SHEET

SG25TE SECURE-GRIP IN-LINE HYDRAULIC FLANGE SPREADER

SPREADING FORCE:

With 700 bar (10 000 psi) of hydraulic pressure:
25 T (250 kN) per tool

It is recommended that tools are used in pairs giving:
2 x 25 T = 50 T (500 kN)

SPREADING DISTANCE: 0 mm - 120 mm (0" - 4.72")

TOOL WEIGHT: 24 kg (52.9 lb)

KIT COMPONENTS

- 1 x SG25TE Tool c/w Hydraulic Cylinder
- 1 x Spreading plug
- 1 x 700 bar (10 000 psi) HP550S Sealed Hand Pump with Gauge
- 1 x 700 bar (10 000 psi) Hydraulic Hose, 2 m (78.7")
- 1 x 300 mm (12") Vernier Calliper
- 1 x Spacer Plate
- 1 x Safety Block
- 1 x Instruction Manual
- 1 x Carry Case with protective foam inserts

Product Code: SG25TESTD



COLLETS (Available Separately)

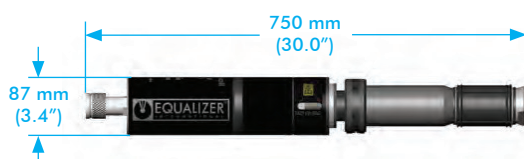
- | | |
|--------------------------|--------------------------|
| 2 x M76 (3") Collets | 2 x M90 (3 1/2") Collets |
| 2 x M80 (3 1/4") Collets | 2 x M95 (3 3/4") Collets |
| 2 x M84 (3 3/8") Collets | 2 x M100 (4") Collets |

WEIGHTS AND DIMENSIONS

Tool Weight: 24 kg (52.9 lb)
Case Weight: 9 kg (19.8 lb)
Gross Kit Weight: 50 kg (110.2 lb)

Carry Case Dimensions:
890 mm x 570 mm x 165 mm (35.0" x 22.4" x 6.5")

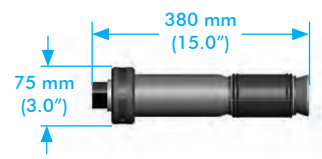
TOOL DIMENSIONS - CLOSED



TOOL DIMENSIONS - OPEN



SPREADING PLUG DIMENSIONS



info@equalizerinternational.com
www.equalizerinternational.com

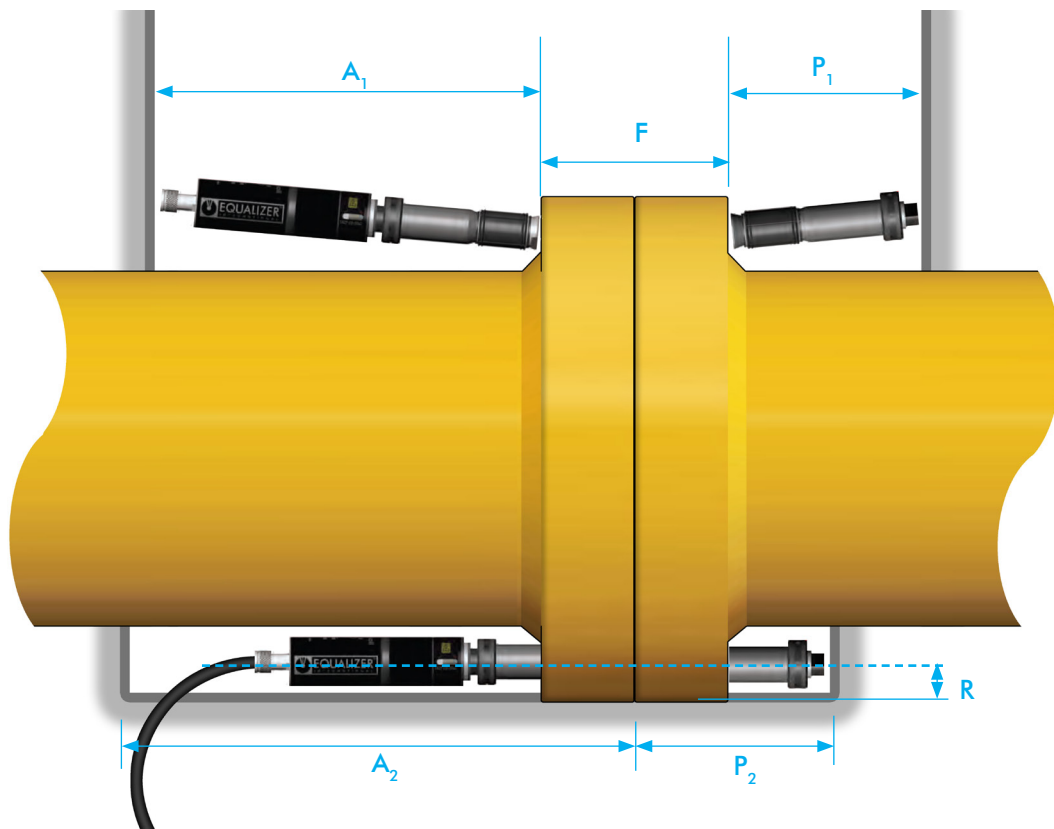
RANGE OF APPLICATION

The SG25TE is usable on all standard flanges that have been specified to accept the following bolt sizes: M76 (3"), M80 (3 1/4"), M84 (3 3/8"), M90 (3 1/2"), M95 (3 3/4"), M100 (4")

This includes ANSI, DIN, SPO, ASME, API and BS flanges.

For a detailed range of application please request the Secure-Grip In Line Hydraulic Operator Instruction Manual.

SPATIAL ENVELOPE



	DIMENSION	MEASURED FROM	MEASURED TO	MINIMUM	MAXIMUM
F	Flange Joint Thickness	Outside Face of Flange	Outside Face of Flange	210 mm (8.3")	570 mm (22.4")
R	Radial space	Bolt-Hole Circle	Closest Obstruction	55 mm (2.2")	-
A ₁	Axial Tool space (for installation)	Outside Face of Flange	Closest Obstruction	750 mm (29.5")	-
A ₂	Axial Tool space (installed)	Inner Face of Flange	Closest Obstruction	1100 mm (43.3")	-
P ₁	Axial Plug space (for installation)	Outside Face of Flange	Closest Obstruction	380 mm (15.0")	-
P ₂	Axial Plug space (installed)	Inner Face of Flange	Closest Obstruction	380 mm (15.0")	-

Contact Equalizer International if your application does not appear to suit standard tools.