



FLANGE TOOL INNOVATION

PRODUCT DATA SHEET

SWi20/25TE INNOVATIVE EXTERNAL HYDRAULIC FLANGE SPREADING WEDGE

SPREADING FORCE:

20 T (200 kN) 1st step

24 T (240 kN) 4th step

SPREADING DISTANCE:

6.0 mm - 103.5 mm (0.24" - 4.1")

WEIGHT: 6.4 kg (14.1 lb)

CAPABILITIES

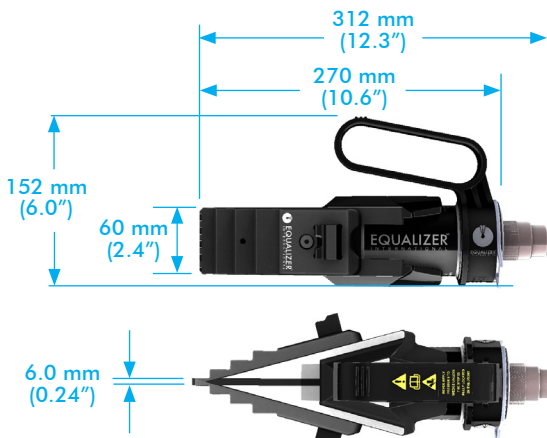
At 700 bar (10 000 psi):
20 T spread force (1st step)
24 T spread force (4th step)

6.0 mm – 87.5 mm
(0.24" - 3.4") spread over 4 steps
(without stepped blocks)

48.5 mm – 103.5 mm
(1.9" - 4.1") spread over 2 steps
(with stepped blocks)

6.0 mm – 40.0 mm
(0.24" - 1.6") spread
using only 1st step

TOOL DIMENSIONS - CLOSED



USER FEATURES

- Practical, portable and lightweight
- Moulded plastic handle for comfort
- Revolving handle to aid horizontal or vertical spreading
- Offset handle is directly over the centre of mass
- Removable handle for improved access
- Revolving lanyard connection point
- Swivel hose coupler with elbow – improves access by allowing hose to revolve
- Spread indicator markings for clear precise visual progress feedback

SAFETY FEATURES

- No finger pinch-points
- Increased step depth on upper steps
- Safety lanyard – 1.0 m (39") length
- Partially recessed coupler reduces coupler vulnerability
- Forged key components for strength and reliability
- Fail-safe design – designated cylinder nose seal failure

MAINTENANCE FEATURES

- Rapid disassembly and assembly
- Quick jaw replacement – remove 1 fastener
- Quick tip replacement – remove 2 fasteners
- Narrow jaw teeth – improved tool wear

info@equalizerinternational.com
www.equalizerinternational.com

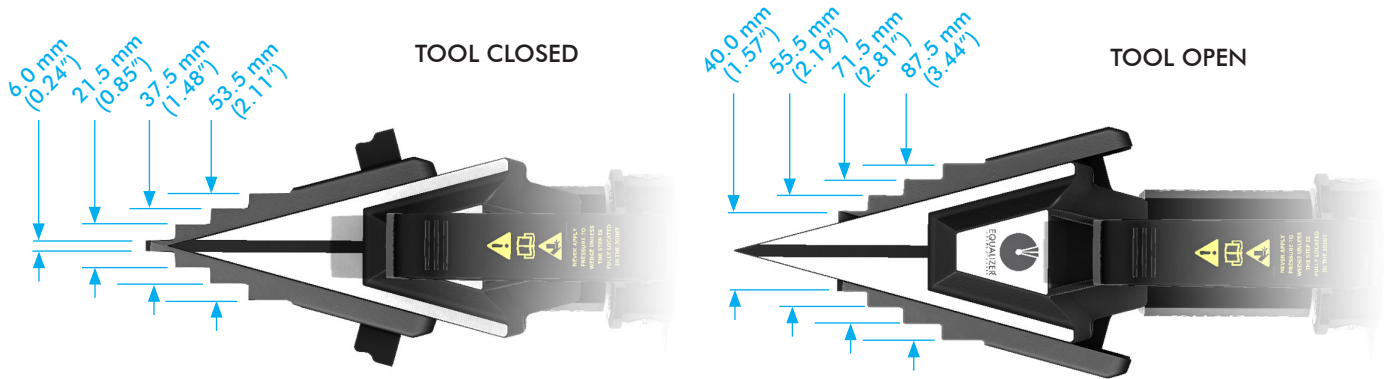
SWi20/25TE

INNOVATIVE EXTERNAL HYDRAULIC
FLANGE SPREADING WEDGE

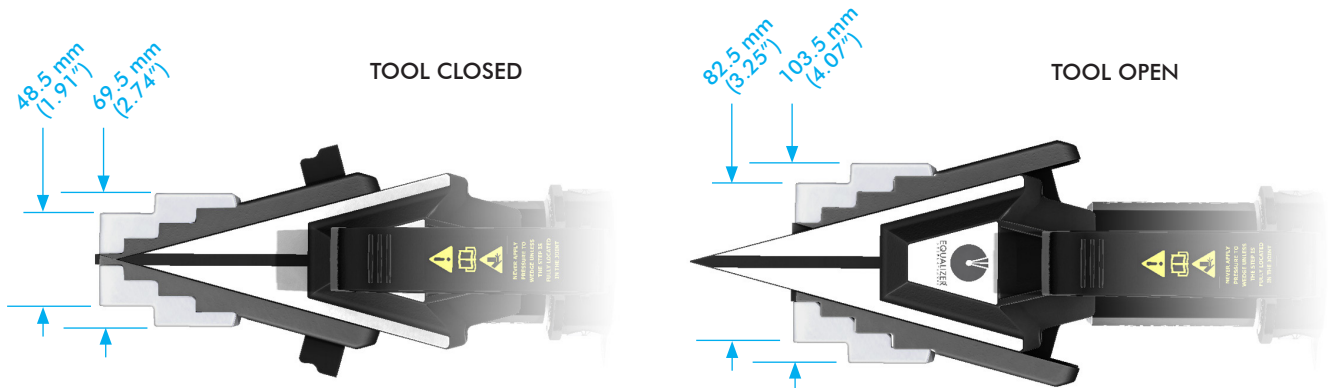


FLANGE TOOL INNOVATION

JAW DIMENSIONS (WITHOUT STEPPED BLOCKS ATTACHED)



JAW DIMENSIONS (WITH STEPPED BLOCKS ATTACHED)



MAXI KIT

- 2 x SWi20/25TE Flange Spreader Wedgeheads
- 2 x 700 bar (10 000 psi) Hydraulic Cylinders
- 2 x 700 bar (10 000 psi) Hydraulic Hoses, 2 m (78.8") with 90 degree elbow
- 1 x 700 bar (10 000 psi) HP550D Sealed Hand Pump with Gauges
- 2 x Sets of Safety Blocks
- 2 x Pairs of Stepped Blocks
- 2 x Hex Keys
- 2 x Safety Lanyards
- 1 x Instruction Manual
- 1 x Plastic Carry Case

Product Code: SWi2025TEMAXSPB

Carry Case Dimensions

920 mm x 500 mm x 205 mm (36.2" x 19.7" x 8.1")
Gross Kit Weight 33.0 kg (72.8 lb)



STANDARD KIT

- 1 x SWi20/25TE Flange Spreader Wedgehead
- 1 x 700 bar (10 000 psi) Hydraulic Cylinder
- 1 x 700 bar (10 000 psi) Hydraulic Hose, 2 m (78.8") with 90 degree elbow
- 1 x 700 bar (10 000 psi) HP350S Sealed Hand Pump with Gauge
- 1 x Set of Safety Blocks
- 1 x Pair of Stepped Blocks
- 1 x Hex Key
- 1 x Safety Lanyard
- 1 x Instruction Manual
- 1 x Plastic Carry Case

Product Code: SWi2025TESTDSPB

Carry Case Dimensions

920 mm x 500 mm x 205 mm (36.2" x 19.7" x 8.1")
Gross Kit Weight 20.7 kg (45.6 lb)



MINI KIT

- 1 x SWi20/25TE Flange Spreader Wedgehead
- 1 x 700 bar (10 000 psi) Hydraulic Cylinder
- 1 x Set of Safety Blocks
- 1 x Pair of Stepped Blocks
- 1 x Hex Key
- 1 x Safety Lanyard
- 1 x Instruction Manual
- 1 x Plastic Carry Case

Product Code: SWi2025TEMIN

Carry Case Dimensions

580 mm x 330 mm x 165 mm (22.8" x 13.0" x 6.5")
Gross Kit Weight 11.6 kg (25.6 lb)