

DIGITAL GAUGE



5 digit LCD display

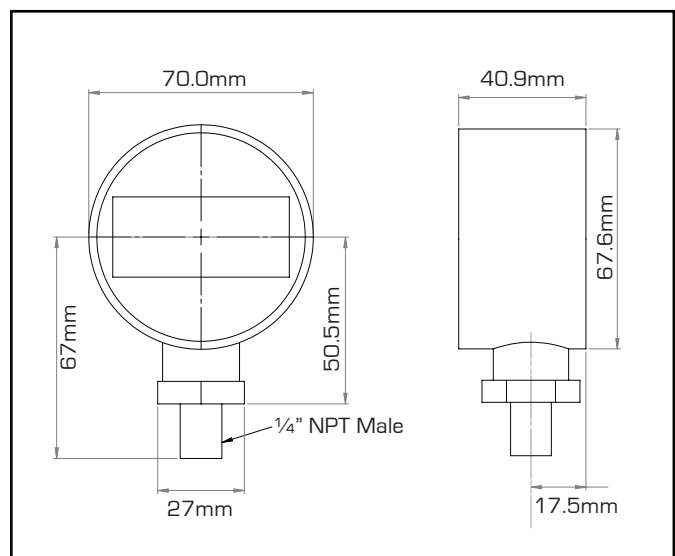
Choice of pressure readings

0.5% full scale accuracy

The Hi-Force HDG1 digital general purpose gauge is capable of measuring hydraulic pressure up to 1000 Bar (14,503 PSI) and can display in a variety of units of measure that include Bar, PSI, mPa, kg/cm², as well as one additional user defined, programmable unit.

This high quality gauge offers an accuracy of 0.5% across its full scale range and incorporates a laser welded, stainless steel sensor & socket making it suitable for use with a wide variety of fluids. Standard features also include tare, min and max memory, blue backlight display, rubber protective enclosure and IP67 weatherproof enclosure rating.

- >> LCD display with 12mm, 5 digit upper line pressure reading and 6mm, 5 digit lower line unit reading.
- >> Blue backlight allows reading in low visibility situations
- >> 20 segment graphical display of pressure
- >> 0.5% terminal point accuracy
- >> Minimum 2000 hours battery life (3 VDC)
- >> Supplied with protective rubber enclosure
- >> Suitable gauge mounting blocks can be found on Page 53



Model number	Gauge diameter mm	Pressure reading Bar	Pressure reading PSI	Pressure reading mPa	Pressure reading kg/cm ²	Inlet thread	Weight kg
HDG1	70	0-1000	0-14503	0-100	0-1019.7	1/4"-18NPT	0.2