

IS - IMPERIAL HEXAGON AF SIZE HEAVY DUTY SOCKETS

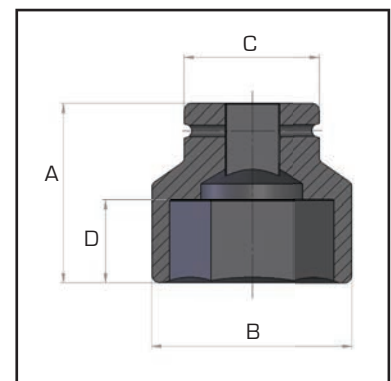


Square drives from $\frac{3}{4}$ " to $2\frac{1}{2}$ "

Across flat sizes up to $6\frac{7}{8}$ "

Supplied complete with retaining ring and pin

Hi-Force high quality imperial size heavy duty sockets are designed and manufactured for use with all Hi-Force bolting products, including hydraulic torque wrenches and impact wrenches. The IS range of imperial impact sockets offers 47 models, with square drives from $\frac{3}{4}$ " to $2\frac{1}{2}$ " and across flat sizes up to $6\frac{7}{8}$ ". Long length, bi-hexagonal and special sockets are available on request.



Model number	Square drive	Nut AF inches	Dimensions in mm			
			A	B	C	D
IS2-101	$\frac{3}{4}$ "	$1\frac{1}{16}$ "	52	40	38	16
IS2-104	$\frac{3}{4}$ "	$1\frac{1}{4}$ "	52	44	44	20
IS2-107	$\frac{3}{4}$ "	$1\frac{7}{16}$ "	56	51	44	23
IS2-110	$\frac{3}{4}$ "	$1\frac{5}{8}$ "	62	58	44	27
IS2-113	$\frac{3}{4}$ "	$1\frac{13}{16}$ "	68	67	44	32
IS2-200	$\frac{3}{4}$ "	2"	72	71	54	35
IS2-203	$\frac{3}{4}$ "	$2\frac{3}{16}$ "	74	77	54	35
IS2-206	$\frac{3}{4}$ "	$2\frac{3}{8}$ "	75	84	54	35
IS9-101	1"	$1\frac{1}{16}$ "	58	44	51	17
IS9-104	1"	$1\frac{1}{4}$ "	60	51	51	21
IS9-107	1"	$1\frac{7}{16}$ "	62	56	52	26
IS9-110	1"	$1\frac{5}{8}$ "	62	62	52	26
IS9-113	1"	$1\frac{13}{16}$ "	64	68	58	27
IS9-200	1"	2"	70	74	58	31
IS9-203	1"	$2\frac{3}{16}$ "	72	80	62	32
IS9-206	1"	$2\frac{3}{8}$ "	78	87	62	35
IS9-209	1"	$2\frac{9}{16}$ "	80	93	62	36
IS9-212	1"	$2\frac{3}{4}$ "	85	98	62	40
IS9-215	1"	$2\frac{15}{16}$ "	95	104	86	48
IS9-302	1"	$3\frac{1}{8}$ "	100	109	86	52
IS9-308	1"	$3\frac{1}{2}$ "	105	125	86	52
IS9-314	1"	$3\frac{7}{8}$ "	105	136	95	52
IS5-113	$1\frac{1}{2}$ "	$1\frac{13}{16}$ "	84	76	86	27
IS5-200	$1\frac{1}{2}$ "	2"	87	82	86	29

Model number	Square drive	Nut AF inches	Dimensions in mm			
			A	B	C	D
IS5-203	$1\frac{1}{2}$ "	$2\frac{3}{16}$ "	90	86	86	36
IS5-206	$1\frac{1}{2}$ "	$2\frac{3}{8}$ "	92	93	86	38
IS5-209	$1\frac{1}{2}$ "	$2\frac{9}{16}$ "	95	97	86	40
IS5-212	$1\frac{1}{2}$ "	$2\frac{3}{4}$ "	100	105	86	43
IS5-215	$1\frac{1}{2}$ "	$2\frac{15}{16}$ "	103	110	86	45
IS5-302	$1\frac{1}{2}$ "	$3\frac{1}{8}$ "	110	116	86	50
IS5-308	$1\frac{1}{2}$ "	$3\frac{1}{2}$ "	118	130	86	55
IS5-314	$1\frac{1}{2}$ "	$3\frac{7}{8}$ "	125	140	95	58
IS5-404	$1\frac{1}{2}$ "	$4\frac{1}{4}$ "	125	150	95	58
IS5-410	$1\frac{1}{2}$ "	$4\frac{5}{8}$ "	135	165	95	65
IS5-500	$1\frac{1}{2}$ "	5"	140	179	127	70
IS5-506	$1\frac{1}{2}$ "	$5\frac{3}{8}$ "	150	195	127	75
IS6-302	$2\frac{1}{2}$ "	$3\frac{1}{8}$ "	140	124	127	51
IS6-308	$2\frac{1}{2}$ "	$3\frac{1}{2}$ "	140	135	127	51
IS6-314	$2\frac{1}{2}$ "	$3\frac{7}{8}$ "	150	147	127	57
IS6-404	$2\frac{1}{2}$ "	$4\frac{1}{4}$ "	160	159	127	64
IS6-410	$2\frac{1}{2}$ "	$4\frac{5}{8}$ "	170	172	127	71
IS6-500	$2\frac{1}{2}$ "	5"	175	185	127	75
IS6-506	$2\frac{1}{2}$ "	$5\frac{3}{8}$ "	180	197	127	79
IS6-512	$2\frac{1}{2}$ "	$5\frac{3}{4}$ "	185	210	127	83
IS6-602	$2\frac{1}{2}$ "	$6\frac{1}{8}$ "	190	223	127	91
IS6-608	$2\frac{1}{2}$ "	$6\frac{1}{2}$ "	195	235	127	95
IS6-614	$2\frac{1}{2}$ "	$6\frac{7}{8}$ "	200	248	127	105