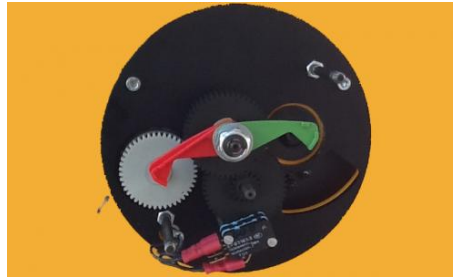
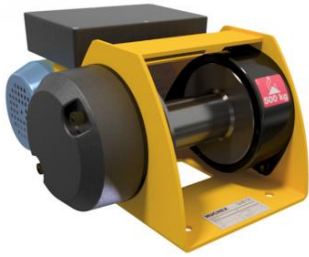


MOTORBOX 150 kg - Low voltage control



Motorised manual winch 150 kg. Low voltage control model.

Use:

- Simple lifting and pulling operations
- Occasional use
- Maintenance (chandeliers...)
- Moving doors or hatches...

Comply with Machines Directive 2006/42/EC and standard NF E N 14492-1.

Technical properties

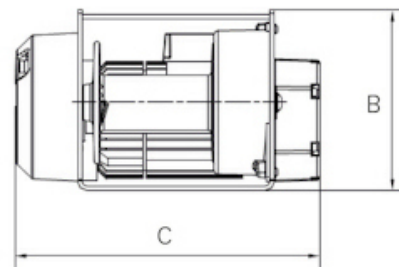
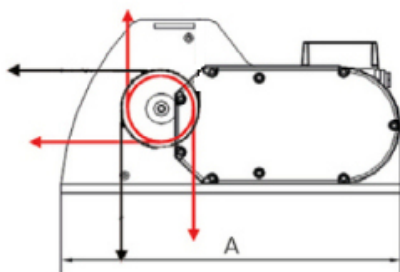
- Mechanical welded steel drum.
- Mechanical parts machined and protected by cathodolysis.
- Very compact.
- The low voltage control protects the user from electrical risks.
- Exists with direct control too.
- Reducer in oil bath with helical gear.
- Reduction system fully protected by a metal or plastic cover providing maximum safety.
- Same attachment as the MANIBOX GR150 in order to facilitate its replacement.
- Single phase 230 V motor brake with permanent capacitor - 50 Hz lifting type. Class F. Protection IP 44.
- Motor power adapted to all uses, even domestic use.
- Up-down control unit emergency stop, cable 2 m.
- Limit switch as standard, very easy to adjust and extremely reliable, made especially by HUCHEZ.

Technical characteristics of MOTORBOX 150 kg - Low voltage control

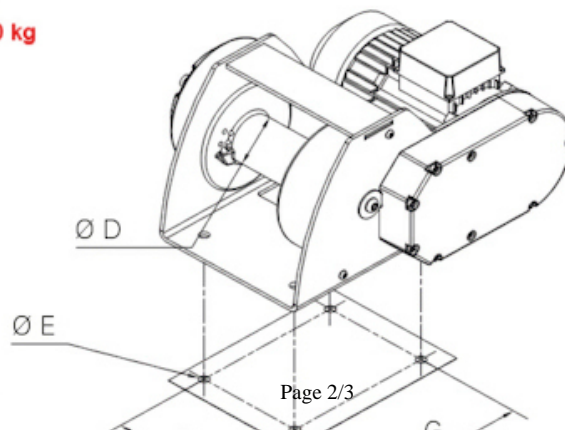
Capacity 1st layer kg	150
Capacity top layer kg	150
Nb of layers	3
Wire rope cap. 1st layer m	4
Wire rope cap. top layer m	15
Wire rope Ø mm	4
Fixed speed 1st layer m/min	5.5
Fixed speed top layer m/min	7
FEM	1Ph-230V
Motor kW	1dM
Power	0.25
Weight (without wire rope) kg	16

Dimensions

A mm	340
B mm	210
C mm	281
D mm	Ø 54
E mm	Ø 9
F mm	114
G mm	154



— Motorbox 150 kg
— Motorbox 300/500 kg



Technical characteristics of the other models of the range

References	MOTORBOX150CD	MOTORBOX300CD	MOTORBOX500	MOTORBOX150BT	MOTORBOX300BT
Capacity 1st layer kg	150	300	500	150	300
Capacity top layer kg	150	300	500	150	300
Nb of layers	3	3	3	3	3
Wire rope cap. 1st layer m	4	4	4	4	4
Wire rope cap. top layer m	15	16	13.5	15	16
Wire rope Ø mm	4	5	6	4	5
Fixed speed 1st layer m/min	5.5	4.6	2.6	5.5	4.6
Fixed speed top layer m/min	7	5.9	3.6	7	5.9
FEM	1Ph-230V	1Dm	1Dm	1Ph-230V	1Dm
Motor kW	1dM	0.37	0.37	1dM	0.37
Power	0.25	1Ph-230V	1Ph-230V	0.25	1Ph-230V
Weight (without wire rope) kg	14	27	27	16	29

References	MOTORBOX500BT
Capacity 1st layer kg	500
Capacity top layer kg	500
Nb of layers	3
Wire rope cap. 1st layer m	4
Wire rope cap. top layer m	13.5
Wire rope Ø mm	6
Fixed speed 1st layer m/min	2.6
Fixed speed top layer m/min	3.6
FEM	1Dm
Motor kW	0.37
Power	1Ph-230V
Weight (without wire rope) kg	29



HUCHEZ's advice

This manual "motorised" winch is the ideal solution to replace a manual winch at a reasonable cost. Motor power adapted to all uses, even domestic use. Its helps reduce musculo-skeletal disorders (MSD).



HUCHEZ
9, Grande Rue
60420 FERRIERES – France
☎ +33 (0) 3 44 51 11 33
Site internet : www.huchez.com
E-mail : contact@huchez.fr



**SERVICE
CLIENTS**

Pour en savoir plus, n'hésitez pas à nous contacter !
To know more, please contact us!